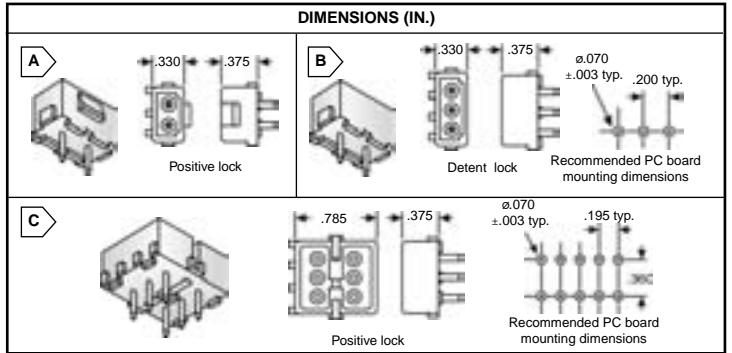
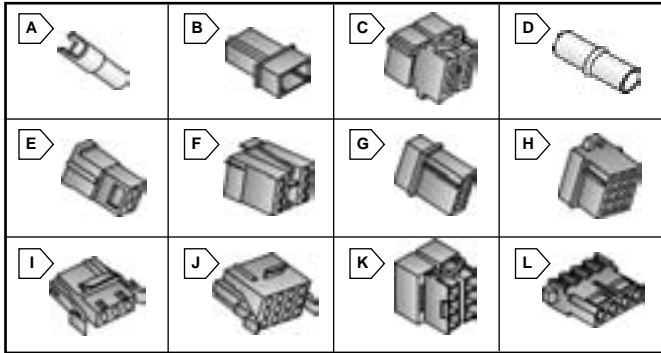


AMP Commercial MATE-N-LOK Connectors



- Features:**
- Fully polarized UL 94V-2 housings, nylon natural color
 - Integral design locking devices
 - Connectors can be panel mounted to .025" - .065" panels
 - Contacts accept wire size range 24-14AWG

- Specifications:**
- Current rating: 7A
 - Voltage rating: 300V
 - Operating temperature: -20°C to +105°C
- E28476 LR16476

* Panel Mount Also

Free Hanging Pin Housing

For quantities of 1000 and up, call for quote.

MOUSER STOCK NO.	Fig.	No. of Circuits	Housing Type	Price Each		
				1	100	500
571-14803500	A	1	Detent lock	.09	.08	.07
571-14803510	A	1	Positive lock	.08	.07	.06
571-14803190	B	2	In-line version	.09	.08	.07
*571-14803050	G	3	In-line, detent lock	.17	.14	.13
*571-14804260	G	4	In-line, detent lock	.21	.17	.15
571-14803400	C	6	Dual row, positive lock	.31	.28	.25
571-14803450	C	8	Dual row, positive lock	.66	.61	.55
571-14803390	C	10	Dual row, positive lock	.50	.44	.40

Free Hanging Socket Housing

MOUSER STOCK NO.	Fig.	No. of Circuits	Housing Type	Price Each		
				1	100	500
571-14803490	D	1	In-line	.08	.07	.06
571-14807200	E	2	In-line, positive lock	.30	.25	.23
571-14803180	E	2	In-line	.09	.08	.07
571-14807210	E	3	In-line, positive lock	.67	.53	.50
571-14803030	E	3	In-line	.18	.15	.13
571-14807220	E	4	In-line, positive lock	.72	.66	.59
571-14804240	E	4	In-line	.18	.15	.14
571-7708271	E	4	In-line, detent lock; UL94V-O	.32	.26	.24
571-14802700	F	6	Dual row, positive lock	.35	.29	.26
571-14802300	F	8	Dual row, positive lock	.36	.30	.27
571-14802850	F	10	Dual row, positive lock	.74	.57	.54
571-14802870	F	12	Dual row, positive lock	.72	.59	.54
571-14804380	F	16	Dual row, positive lock	1.18	1.13	1.04

Panel Mount Pin Housing

MOUSER STOCK NO.	Fig.	No. of Circuits	Housing Type	Price Each		
				1	100	500
571-14803050	G	3	In-line, detent lock	.17	.14	.13
571-14804260	G	4	In-line, detent lock	.21	.17	.15
571-14802760	H	6	Matrix, positive lock	.34	.28	.25
571-14802770	H	9	Matrix, positive lock	.64	.58	.53
571-14802780	H	12	Matrix, positive lock	.71	.67	.61
571-14803240	H	15	Matrix, positive lock	.92	.84	.76

Panel Mount Socket Housing

MOUSER STOCK NO.	Fig.	No. of Circuits	Housing Type	Price Each		
				1	100	500
571-14803040	I	3	In-line version	.20	.16	.15
571-14804250	I	4	In-line version	.54	.46	.42
571-14802730	J	6	Matrix version	.72	.57	.51
571-14802740	J	9	Matrix version	.84	.65	.55
571-14802750	J	12	Matrix version	.95	.74	.63
571-14803230	J	15	Matrix version	1.17	1.01	.85

Motor Mount Pin Housing

MOUSER STOCK NO.	Fig.	No. of Circuits	Housing Type	Price Each		
				1	100	500
571-14802710	K	6	Dual row, positive lock	.67	.54	.48
571-14802840	K	8	Dual row, positive lock	.90	.73	.71
571-14802860	K	10	Dual row, positive lock	1.04	.84	.82
571-14802880	K	12	Dual row, positive lock	1.13	1.02	.98
571-14804390	K	16	Dual row, positive lock	1.00	.89	.80

Motor Mount Socket Housing

MOUSER STOCK NO.	Fig.	No. of Circuits	Housing Type	Price Each		
				1	100	500
571-14802700	F	6	Dual row, positive lock	.35	.29	.26
571-14802830	F	8	Dual row, positive lock	.36	.30	.27
571-14802850	F	10	Dual row, positive lock	.74	.57	.54
571-14802870	F	12	Dual row, positive lock	.95	.72	.59
571-14804380	F	16	Dual row, positive lock	1.18	1.13	1.04

CONTACTS

Contacts to be used in Commercial MATE-N-LOK Housings only.

- Features:**
- Material: brass
 - Pin length: .805"
 - Socket length: .695"



For quantities of 1000 and up, call for quote.

MOUSER STOCK NO.	Fig.	Description	Finish	Price Each		
				1	100	500
571-606201	A	Pin 20-14AWG	Tin	.10	.09	.08
571-606181	A	Pin 24-18AWG	Tin	.10	.09	.08
571-606185	A	Pin 24-18AWG	Gold	.79	.58	.54
571-606191	A	Socket 20-14AWG	Tin	.10	.09	.08
571-606171	B	Socket 24-18AWG	Tin	.10	.09	.08

PC BOARD MOUNT CONNECTORS

- Features:**
- Fully polarized UL94V-2 housings
 - Integral design locking devices

- Contacts: Pre-tin plated phosphor bronze
- Housing: Nylon, natural color

LR16455-38 E28476

Vertical Pin Headers

For quantities of 1000 and up, call for quote.

MOUSER STOCK NO.	Fig.	Housing Type	No. of Circuits	Mates With	Price Each		
					1	100	500
For Use With .062" PCB Thickness, Standard Tail							
571-3505391	A	In-line, positive lock	2	571-14807200	.40	.33	.30
571-3502091	B	In-line, detent lock	2	571-14803180	.30	.25	.23
571-3505411	A	In-line, positive lock	3	571-14807210	.96	.77	.70
571-3502101	B	In-line, detent lock	3	571-14803030	.48	.40	.36
571-3505431	A	In-line, positive lock	4	571-14807220	.91	.72	.63
571-3502111	B	In-line, detent lock	4	571-14804240	.45	.37	.34
571-13809990	C	Dual row, positive lock	6	571-14802700	.61	.51	.46
571-3502121	C	Dual row, positive lock	8	571-14802830	.71	.60	.54
571-13809910	C	Dual row, positive lock	10	571-14802850	.84	.70	.63
571-3502131	C	Dual row, positive lock	12	571-14802870	1.66	1.56	1.31
571-3502141	C	Dual row, positive lock	16	571-14804380	2.05	1.76	1.58
For Use With .125" PCB Thickness, Long Tail							
571-3504241	B	In-line, detent lock	4	571-14804240	.80	.72	.60

Vertical Socket Headers

- Housing: UL94V-2 Nylon, natural color
- Contacts: Phosphor bronze



For quantities of 1000 and up, call for quote.

MOUSER STOCK NO.	Housing Type	No. of Contacts	Mates With	Price Each		
				1	100	500
571-7709971	In-Line	4	571-14804260	.97	.81	.73
571-3506411	Matrix	6	571-14802760	.90	.85	.80
571-3506421	Matrix	9	571-14802770	1.35	1.20	1.07
571-3506431	Matrix	12	571-14802780	2.30	2.00	1.80

Insulation Displacement Connectors (IDC) 4 Circuit In-Line

- Housing: Nylon natural, UL94V-2
- Contact: Phosphor bronze
- Finish: Pre-tin

Mates with 571-14804260, 571-3502111, 571-3504241

For quantities of 1000 and up, call for quote.

MOUSER STOCK NO.	Fig.	Wire Size AWG	Color	Housing Type	Price Each		
					1	100	500
571-7701562	L	22	Red	In-line version	.47	.38	.34
571-7701564	L	20	Yellow	In-line version	.47	.38	.34
571-7701563	L	18	Orange	In-line version	.47	.38	.34

Dust Covers

- Housing: Polyester, white color, UL94V-2

For quantities of 1000 and up, call for quote.

MOUSER STOCK NO.	Description	Price Each		
		1	100	500
571-7702321	For feed to wiring applications	.15	.14	.13
571-7702331	For feed through wiring applications	.15	.14	.13

TOOLS



Extraction Tool



Pro-Crimper II

MOUSER STOCK NO.	Fig.	Description	Price Each
571-4656441	A	Contact extraction tool	14.36
571-905741	B	24-18 AWG Pro-Crimper II	162.00
571-905751	B	20-14 AWG Pro-Crimper II	162.00